

## Battery Cartridge Replacement



For information on recycling the used battery, see the Used Battery Information sheet included with the replacement battery.

### Back-UPS

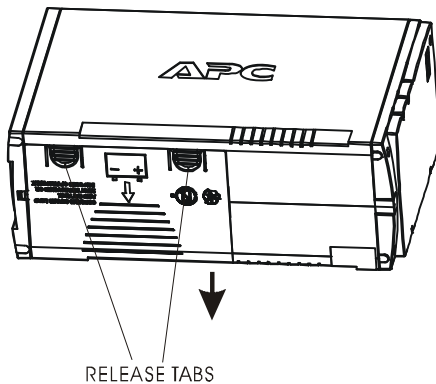
BN1250LCD

BR1000-CH, BR1100CI series, BR1200LCDI, BR1300LCD, BR1500LCD, BR1500LCDI

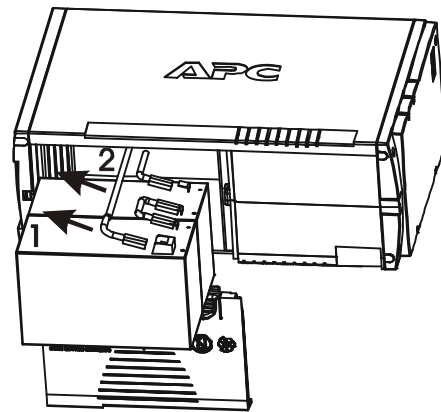
BX900R, BX1200R, BX1300LCD, BX1300LCD-CN, BX1500LCD

DL1000VNT

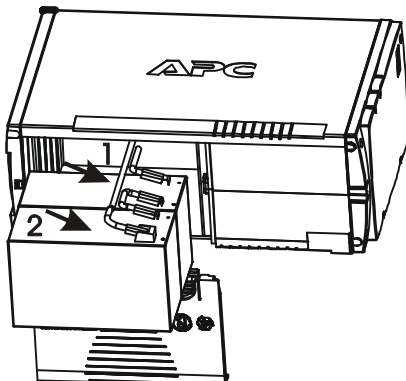
1 Press release tabs and slide off battery door.



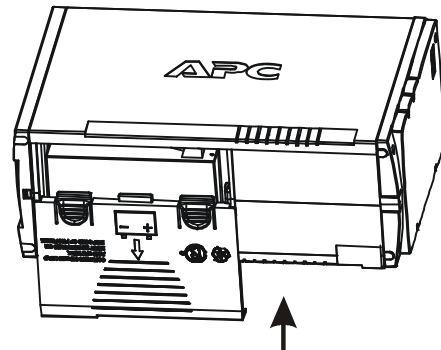
2 Disconnect the battery wires.



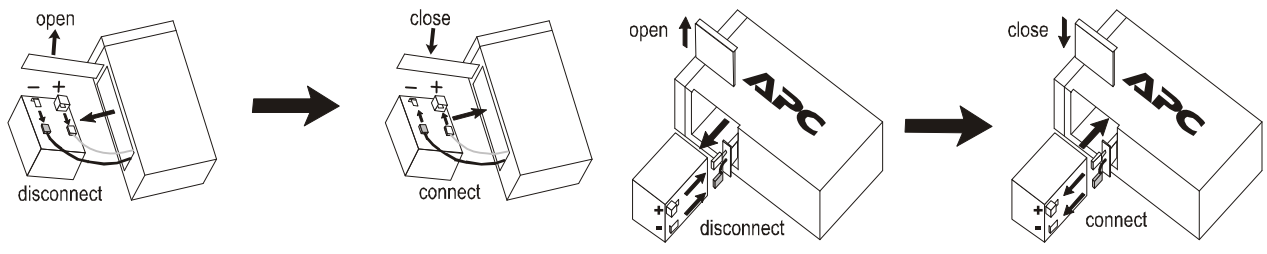
3 Replace with the new battery and connect the wires.



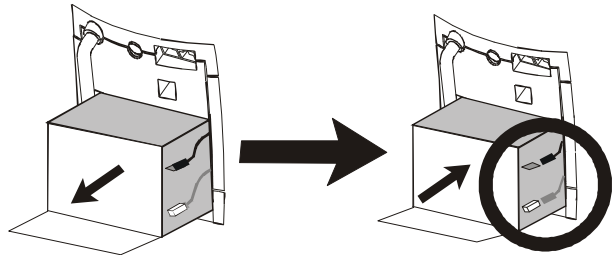
4 Close the battery door.



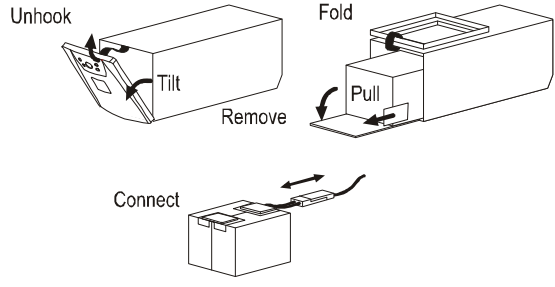
# Back-UPS BK 200/500, Back-UPS Pro, Smart-UPS SU 280/420



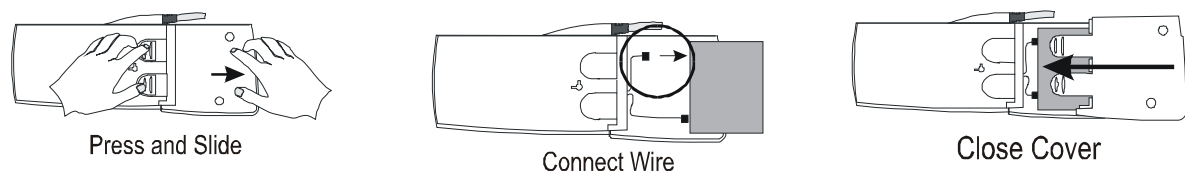
## Back-UPS Pro USB 350/500/650



## Back-UPS 1000/1400

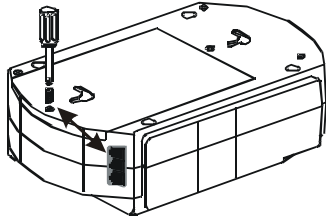


## Back-UPS Office 250/500

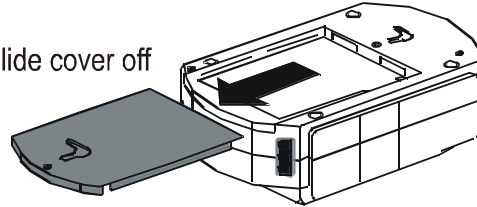


## Back-UPS ES350/ES500

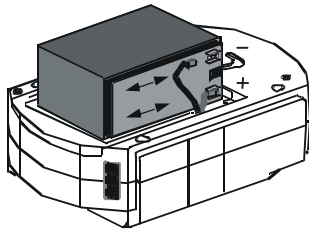
remove screw



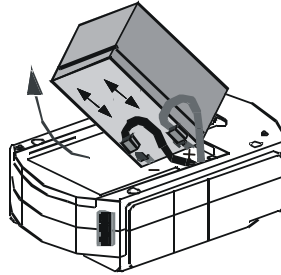
slide cover off



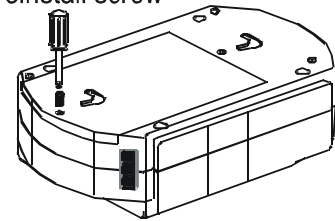
disconnect wires, replace with new battery and reconnect wires.



Back-UPS ES 500

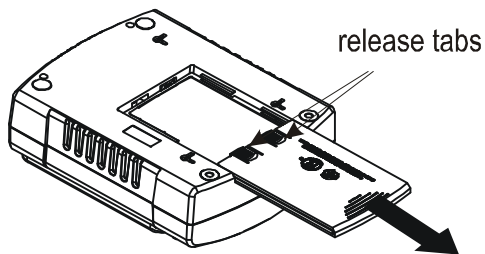


Close cover and  
reinstall screw

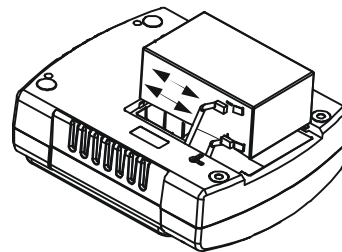


## Back-UPS ES 350/450/550/650/725/750 (120 V) Back-UPS ES 400/550/700 (230 V)

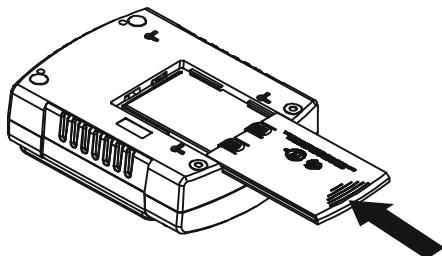
press release tabs and slide off cover



Disconnect wires, replace with new  
battery and reconnect wires.

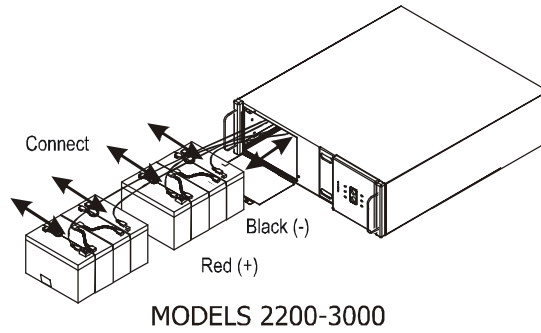
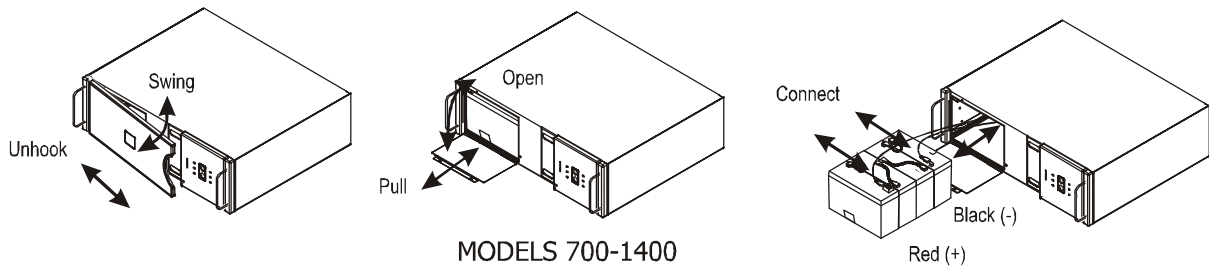


close cover

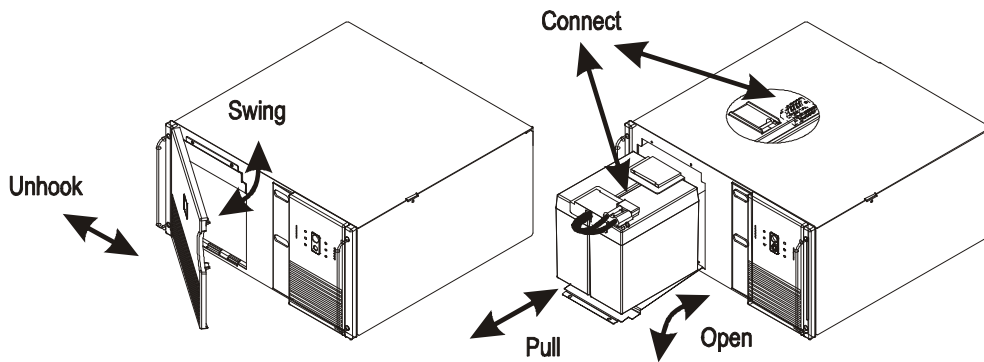


# Smart-UPS

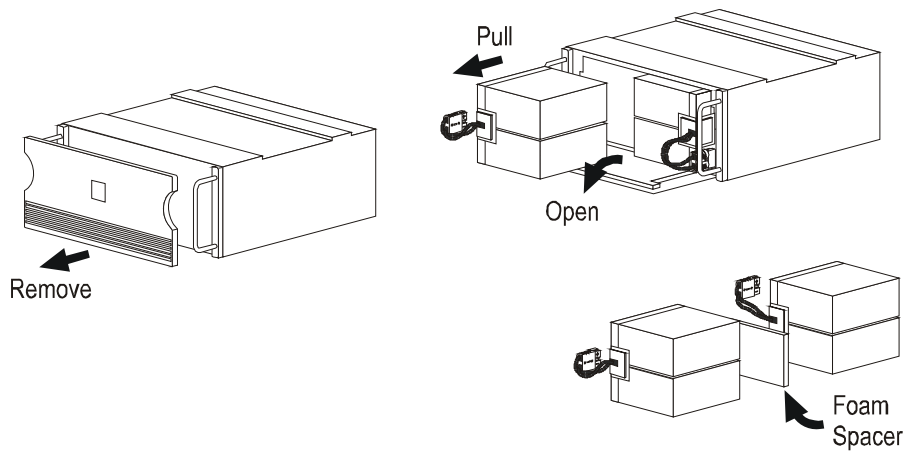
## Smart-UPS Rack-Mount (5.25 inch models)



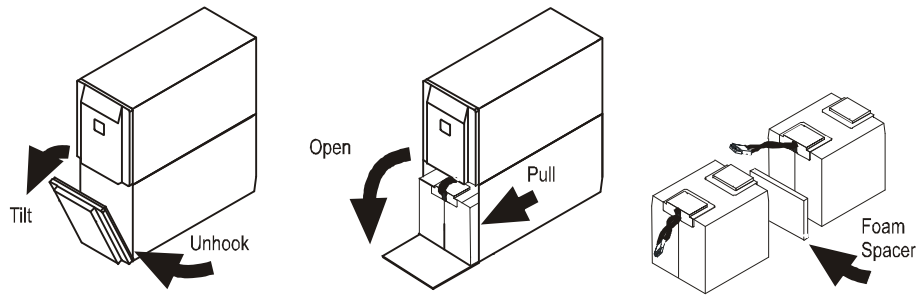
## Smart-UPS Rack-Mount (8.75 inch models)



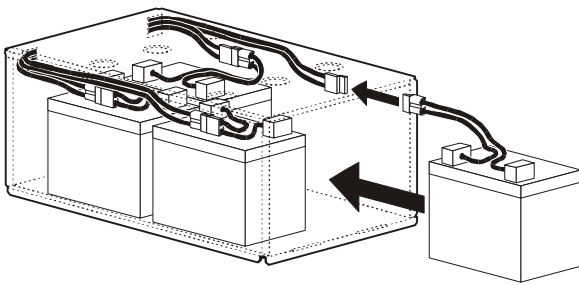
## Smart-UPS Rack-Mount XL Battery Packs



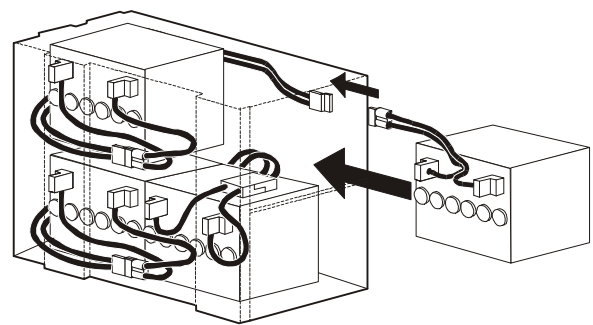
### Smart-UPS 2200/3000



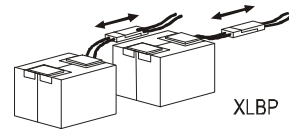
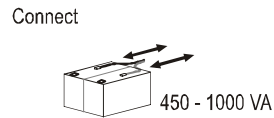
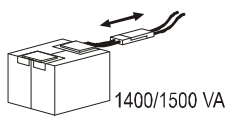
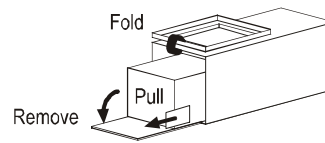
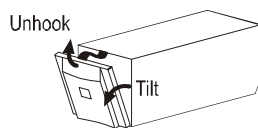
### UXBP 24/48/48M



### SmartCell XR

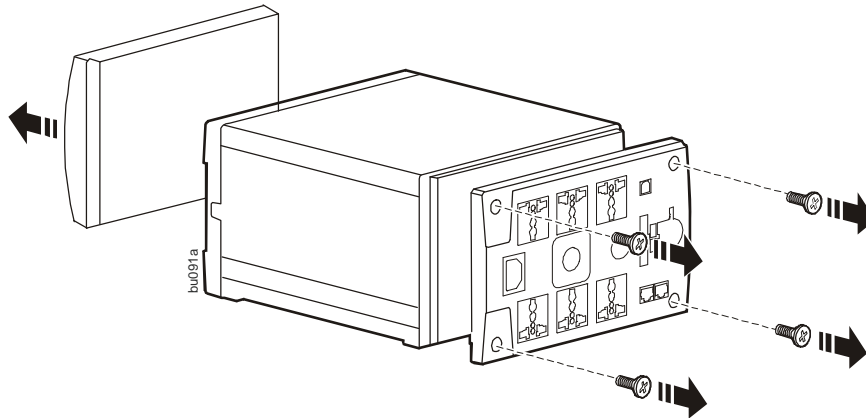


### Smart-UPS 450/1500 Smart-UPS XLBP

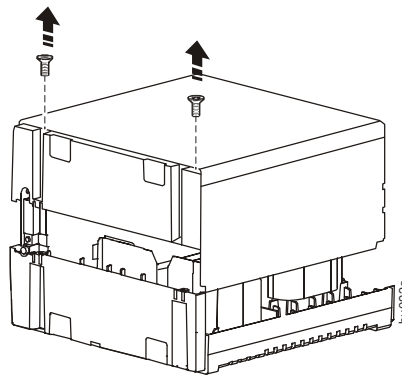


## BX800/1100xx-xx

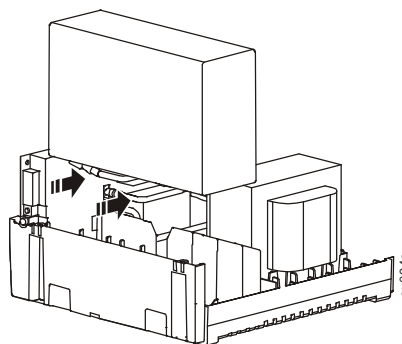
1. To remove the front panel, insert a screwdriver into the notch on the bottom of the unit. Forcefully tap the screw driver to unsnap the front panel off of the unit. Remove the screws from the back panel of the unit.



2. Remove the side panels.

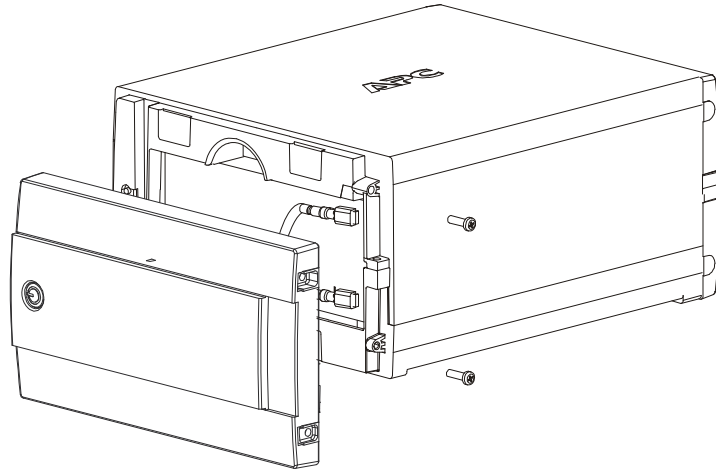


3. Detach the red and black wires from the battery. Remove the old battery and replace with new battery. Reconnect the battery wires, red to the + and black to the -. Reassemble the unit.

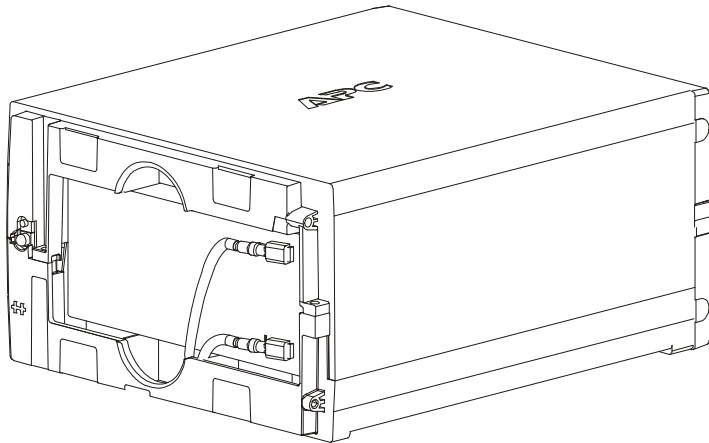


## BX650xx-xx

1. Remove screws from bottom of the front panel of the UPS. Slide the front panel upwards to remove it.



2. Detach the red and black wires from the battery.



3. Replace with a new battery. Connect the wires: red to the “+” terminal and black to the “-” terminal. Reassemble the UPS.

